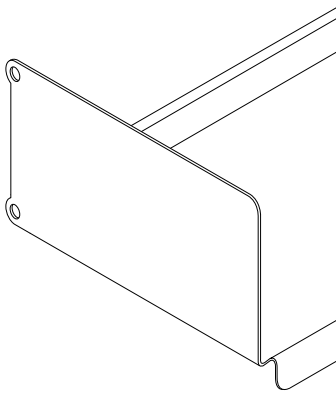
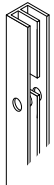


Glossary



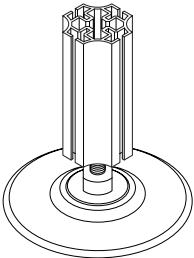
Metal shelf
Can be used either way up



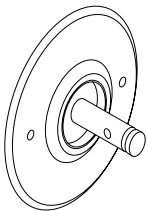
The **E-Track** attaches directly to a wall or to the X-Post



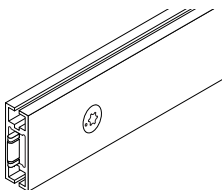
The **pin** attaches shelves, cabinets and tables to the E-Track



The **X-Post** can be compressed between the floor and the ceiling and/or attached to the wall using the wall bracket



Wall bracket
Attaches the X-Post to the wall



The **cross rail** is always used with the X-Post to brace the structure

How do I buy from you?

No two orders we sell are the same. Accordingly we have pioneered dealing directly with our customers worldwide.

That's why we employ only the best people to plan a shelving system with you – online, by phone or at one of our locations. You will have your very own planner, often in your own time-zone and language.

Your planner will work with you to ensure that every detail has been considered so that your shelving system is exactly right for you.

This service is free of charge, whether for your first order or when you are moving home or office many years later.

The process of buying from us is much simpler than you might expect. Familiarise yourself with this guide so that you can embark on the following four steps with a sense of knowing in your stride.

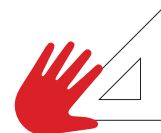
1 Measure and photograph your space...



2 ...and tell us how you want to use your system



3 We will plan for you...



4 ...and deliver, worldwide, direct to your door



When you are ready,
see page 18

“I have never had such a positive and intuitive experience such as this with any other manufacturer of any other product.”

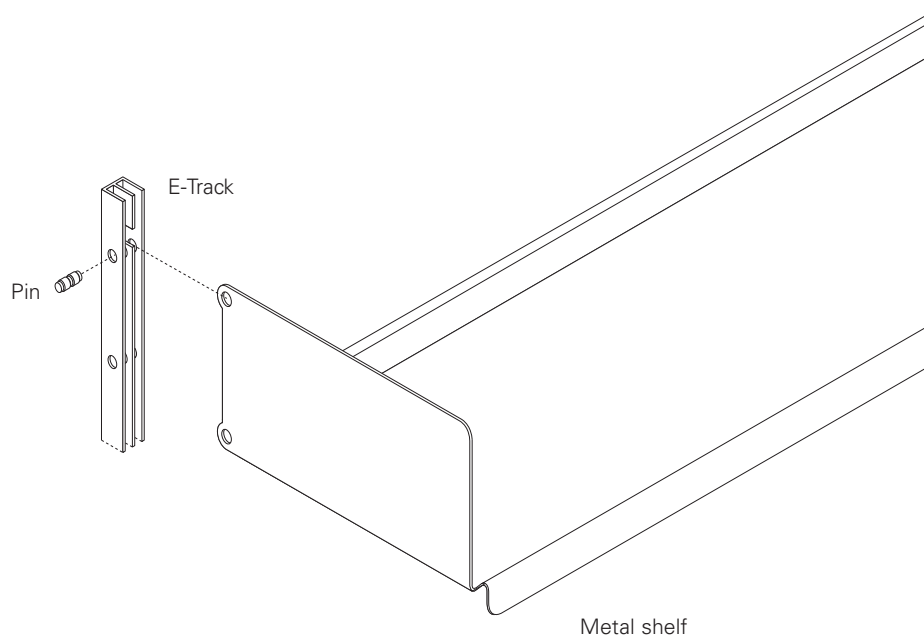
From a Brooklyn-based artist

How does the system work?

At the core of the 606 Universal Shelving System is the aluminium E-Track that can be attached directly to the wall. Shelves, cabinets and tables are then hung from the E-Track – using no tools – by inserting the notched aluminium pins into position. Shelves have a second hole so that they may be hung either way up.

If no wall is available – or it is uneven – the E-Track may be attached to an aluminium X-Post. The system can then stand on the floor and avoid many obstructions allowing the system to be installed accurately in a wide variety of environments – old and new.

The simple interchangeability of the components encourages either day-to-day rearrangement or complete reconfiguration according to changing needs.



How much can I put on my shelving?

...that depends

This shelving system has been in continuous production since 1960; it is tried and tested. But, however good the pedigree, any storage system ultimately relies on the strength of the wall, floor and ceiling to which it is attached.

Put simply, the more you intend to load the system, the stronger the wall, floor and ceiling (in that order) should be.

The time taken to read this page will be well spent.

Walls

Solid wall

Made of masonry, brick or concrete, it sounds true and solid when you tap it with your knuckle. It's ideal.

Plasterboard wall

If it sounds hollow and consistently crisp wherever you tap, it is most likely to be 12.5mm plasterboard on timber or metal studs. Using the best modern cavity fixings a plasterboard wall will accept most domestic loads. Our system is installed on such walls daily.

Lath-and-plaster wall

If the wall sounds hollow and somewhat inconsistent over the slightly undulating surface (run your hand over it), you may have the least good wall – timber laths with ageing plaster. Almost certainly, you will need to rely on the floor to achieve a desirable loading (see pages 8–9).

Vitsoe's preferred internal wall

If you are able to specify a new internal wall, we recommend 12.5mm plasterboard over 18mm plywood or MDF on timber or metal studs. We recommend that you do *not* try to position timber studs to match the E-Tracks.



We are not able to accept liability for the poor condition of walls, floors or ceilings against which the system is installed. Our planners will always be able to advise on the suitability of your wall. If you choose to over-rule our advice, we will be unable to accept any liability for a subsequent failure in your wall/floor/ceiling and/or shelving system.

If unforeseen problems are discovered during the installation of your system, we may have to recommend changes to your system that could cost extra.

Floors

Rigid floor

When you jump on it, it does not flex. Without a carpet, it's the best; with a carpet, it is less good.

Flexible floor

When you jump on it, it flexes or creaks. If you intend to use the floor, this is not ideal. A thick carpet with underlay will not help the load-bearing capacity of this floor.

Ceilings

Solid ceiling

A steel beam or concrete – ideal.

Plaster/plasterboard ceiling

A continuous plaster or plasterboard ceiling can be used, preferably in conjunction with a rigid floor.

Other ceiling

A discontinuous suspended ceiling comprising tiles or similar is far from ideal. It may only be used after a ceiling contractor undertakes reinforcing work.

Loading

We do not quote specific loading figures for the system as so much depends on the construction of walls, floors and ceilings; the type of fixings used; and how well the system is installed.

In this guide we will refer to light, medium and heavy loading of the shelving system. By this we mean:

Light loading

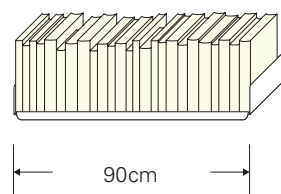
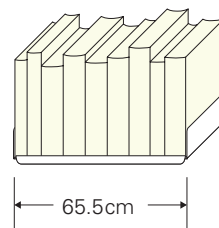
Display of lightweight objects and limited storage of some smaller books and files.

Medium loading

Storage of moderate-sized books, magazines and files that will occupy most, but not all, of the shelves.

Heavy loading

Storage of large-format books, magazines, files and vinyl records that will occupy all of the shelves. Ideally 65.5cm-wide shelves should be used for heavy loading.



Vitsoe cabinet tops are not intended to be load-bearing. Use a shelf above the cabinet for this purpose.

The system must not be used as a ladder and neither can you sit or stand on any part of the system.

Wall mounted

Fixing directly to a clear wall

If you have a clear, solid or plasterboard wall you can attach an E-Track directly to it.

We call it **'wall mounted'**.

See page 6

Semi-wall mounted

Fixing to a wall with obstructions (or an alternative fixing to a clear wall)

If your wall is obstructed (eg by picture/dado rails), the system can stand away from the wall and still be attached indirectly to it.

We call it **'semi-wall mounted'**.

See pages 7–10

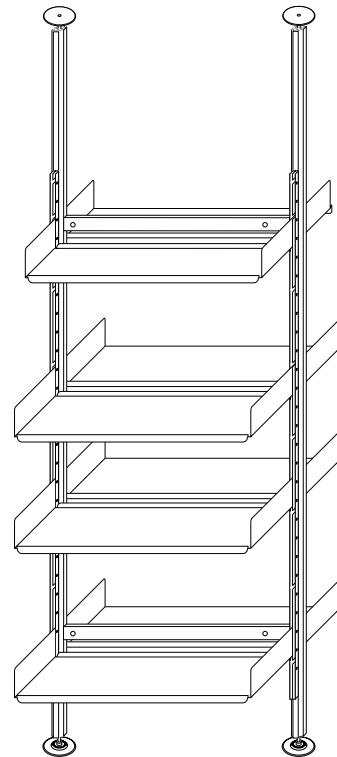
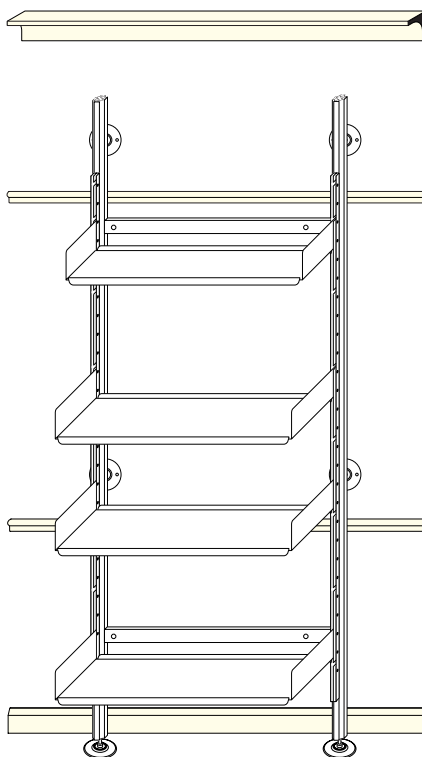
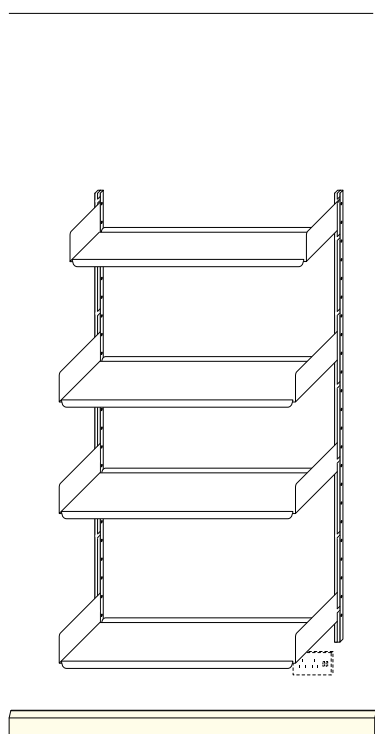
Compressed

Compressed between floor and ceiling

If you have no wall nearby, you can compress the system between the floor and ceiling.

We call it **'compressed'**.

See pages 11–13



Wall mounted



E-Track

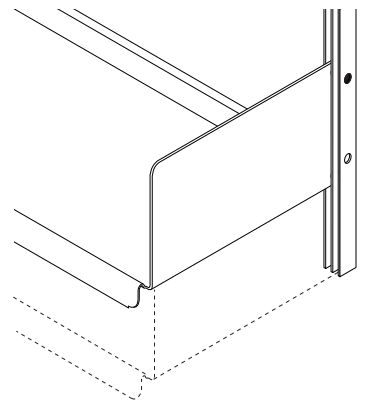
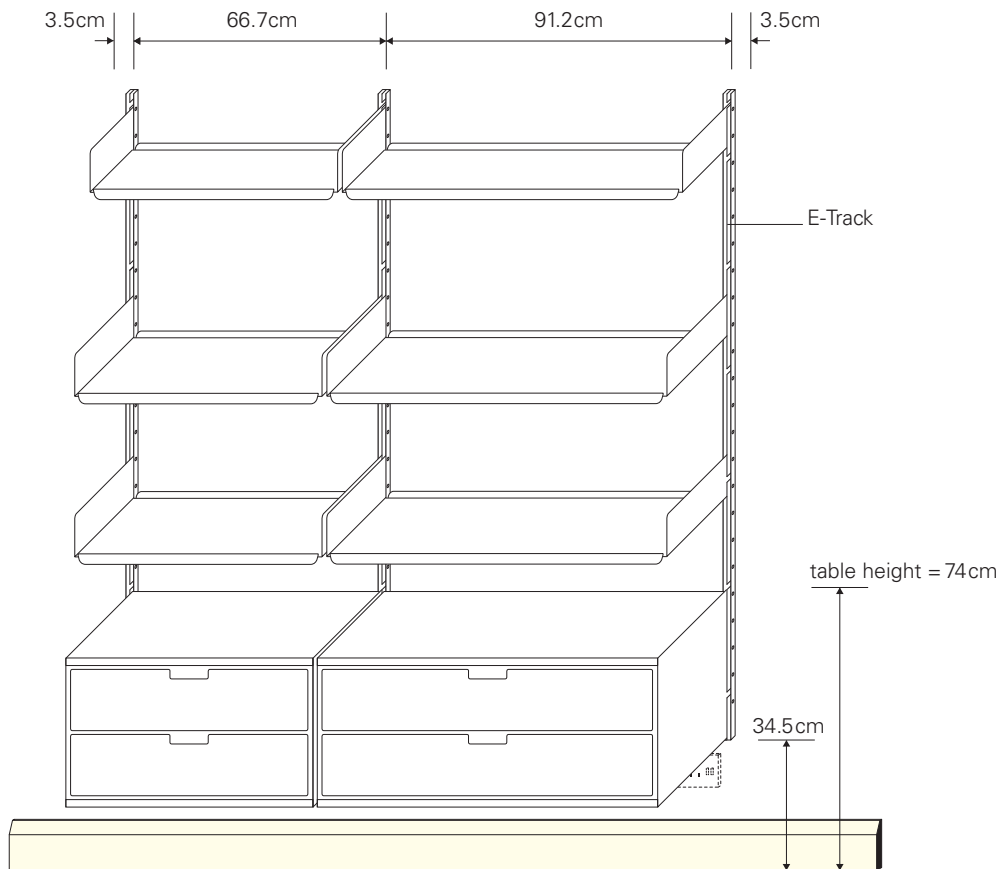
Fixing to a clear wall

The essential component of the system is the E-Track. It may be fixed directly to a clear wall, either solid or plasterboard (also lath and plaster if the loading is to be light, see page 4), in any combination of the two widths of the system, **66.7cm** and **91.2cm**.

Remember to add 3.5cm to each side of the system to ensure enough space for drilling and fitting your pins. If these measurements are ignored, your system will not fit. For this we cannot accept liability.

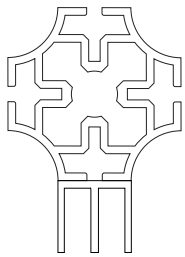
The E-Tracks are normally set at 34.5cm above the floor (unless you tell us otherwise) so that the top of a cabinet is level with normal table height and/or an integrated table can be added to the system. This has the extra benefit of allowing the vacuum cleaner to fit under.

Most importantly, if you can see the base of the wall/skirting, the room feels larger.



If loading is to exceed light/medium weight on plasterboard walls or other soft-surface walls, never allow the bottom shelf to be level with the bottom of the E-Track as this may cause the wall surface to fail locally.

Semi-wall mounted



X-Post

E-Track

Fixing to a wall with obstructions (or an alternative fixing to a clear wall)

Instead of being attached directly to the wall, the E-Track is attached to an X-Post which stands on the floor. The E-Track is normally set 20.5cm above the floor. The X-Post is itself secured vertically using a minimum of two wall brackets.

You can choose this structure simply because you like it. However, it also allows:

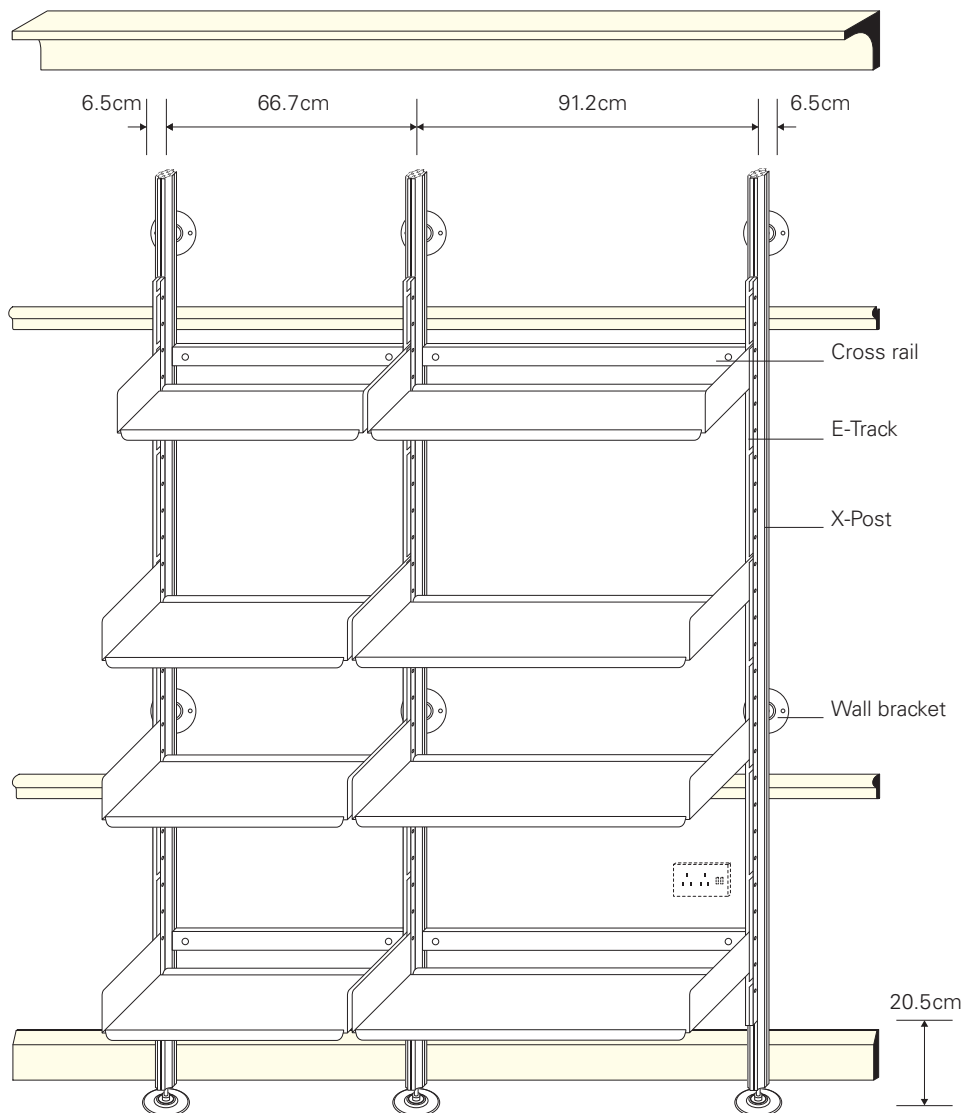
- the system to stand in front of an obstructed, uneven or partially glazed wall
- fixings into the wall to be kept to a minimum
- shelves/cabinets to hang lower than electrical sockets to obscure wiring

A pair of cross rails provides lateral bracing between each pair of X-Posts (three cross rails if the semi-wall mounted X-Post is longer than 300cm).

Wall brackets are available in two standard lengths to compensate for deep skirting (see page 10) or similar obstructions (even slim radiators).

Remember to add 6.5cm to each side for the diameter of the floor plates and wall brackets. If these measurements are ignored, your system will not fit. For this we cannot accept liability.

To offer greater rigidity, a stabilising foot may be added to each X-Post (see pages 8–9).



Semi-wall mounted

Solid, plasterboard or lath-and-plaster wall

+ Rigid floor

= **Semi-wall mounted**

If the wall is solid and the floor is rigid, this system will accept heavy loading of books and files.

If the wall is plasterboard or lath and plaster, it is important that the floor is rigid. In most cases the system will accept heavy loading.

Higher ceilings

If the semi-wall mounted X-Post length exceeds 300cm, it is necessary to use three wall brackets per X-Post and three cross rails (5cm high) per pair of X-Posts. Maximum overall height for semi-wall mounted is 350cm.

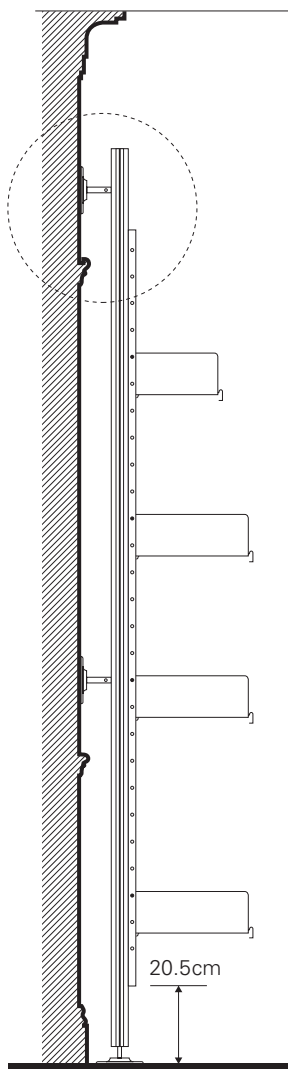
Solid, plasterboard or lath-and-plaster wall

+ Flexible floor

= **Semi-wall mounted with stabilising foot**

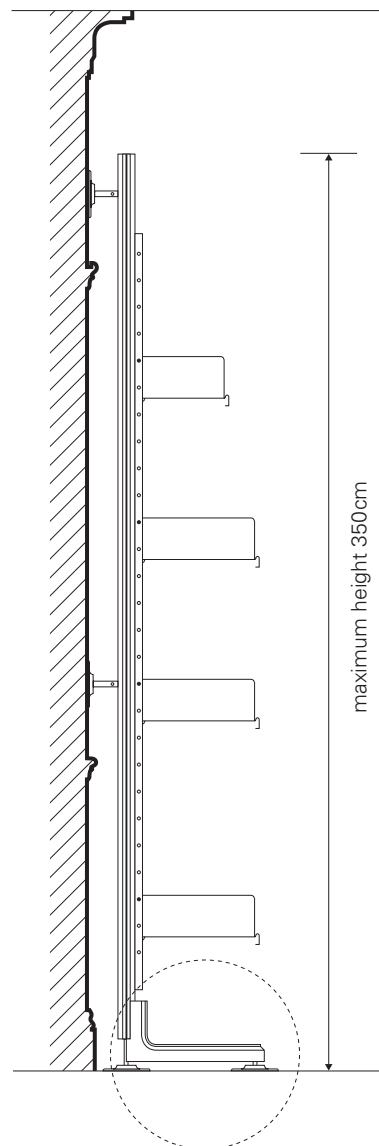
By adding the stabilising foot, the system is strengthened.

So, if the desired loading is heavy, or if the wall is not solid or the floor not rigid, then add a stabilising foot.



The top wall bracket should always be above the top of the E-Track

Rigid floor



maximum height 350cm

Flexible floor

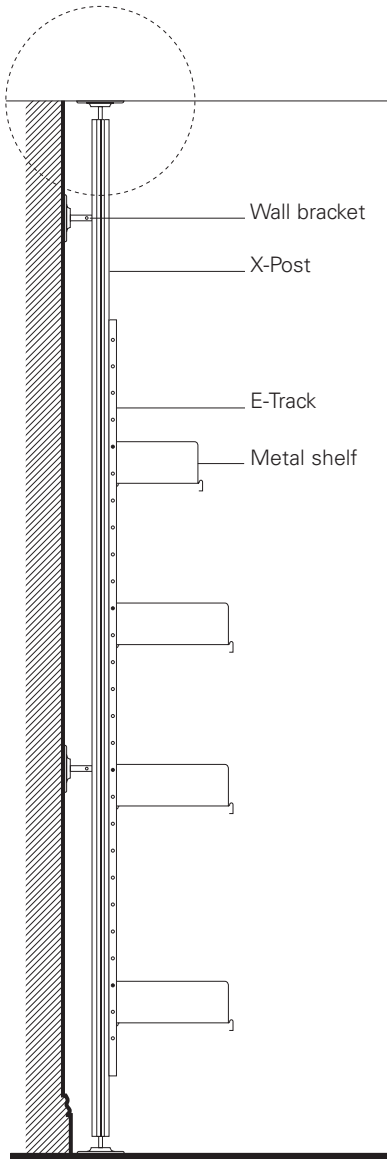
Solid, plasterboard or lath-and-plaster wall

- + Rigid floor
- + No cornice

= **Semi-wall mounted and compressed**

For largely aesthetic reasons, the semi-wall mounted system can be taken up to the ceiling, but only if there are no obstructions.

If the ceiling is solid and the floor is rigid, extra strength can be gained for the system.

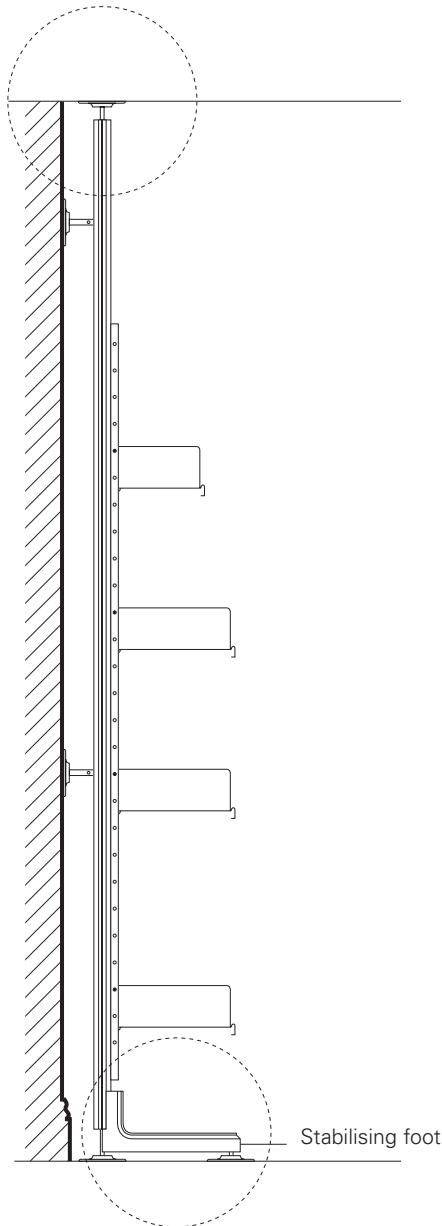


Solid, plasterboard or lath-and-plaster wall

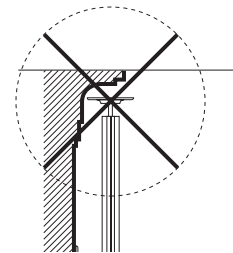
- + Flexible floor
- + No cornice

= **Semi-wall mounted and compressed with stabilising foot**

Adding a stabilising foot – and compressing against the ceiling – will further strengthen the system or help to compensate for a hollow wall, flexible floor or plasterboard ceiling.



All systems must be fully dismantled for moving. We cannot accept responsibility for damage caused to the system if it is moved while assembled.



The semi-wall mounted and compressed systems cannot go up to the ceiling if there is a cornice.

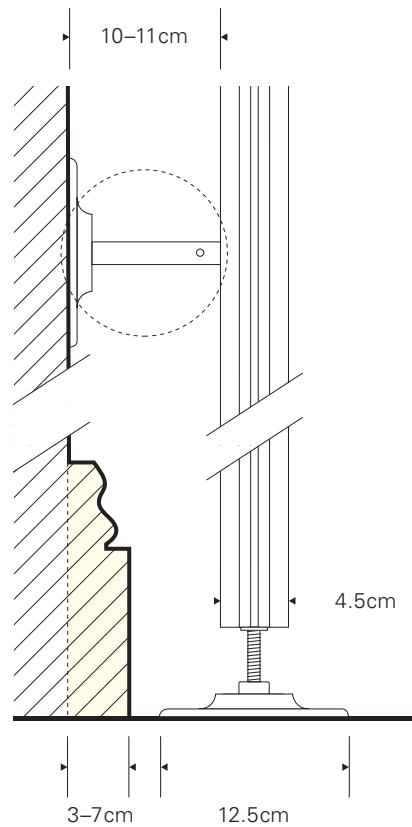
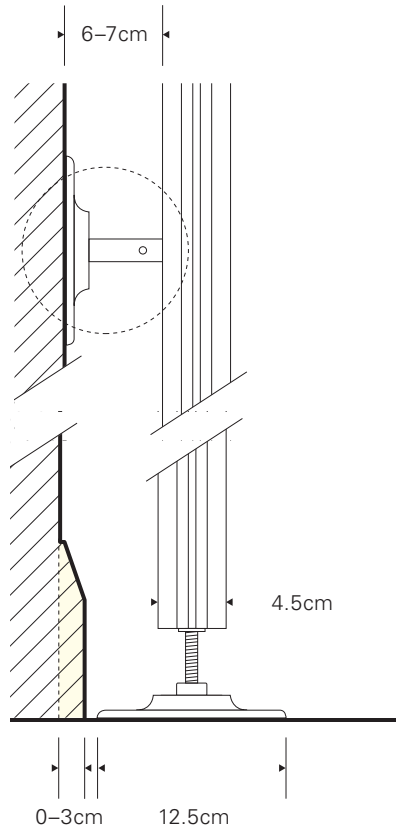
Semi-wall mounted

Skirting/beading depth

If your skirting (and/or beading) is up to 3cm deep, you can use the short wall bracket (adjustable from 6cm to 7cm depth).

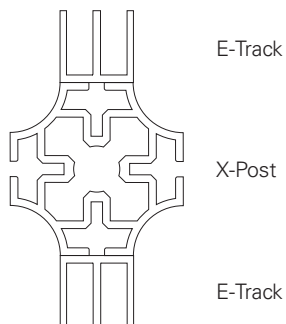
If your skirting (and/or beading) is 3cm to 7cm deep, you should use the long wall bracket (10cm to 11cm depth).

If your skirting (and/or beading) is deeper than 7cm, please give us the measurement and ask for extended wall-bracket barrels.



Scale 1:5

Compressed



Compressed between the floor and ceiling

Compressing the X-Post between the floor and ceiling allows the system to be used without contact to a wall. The E-Track is attached (normally 20.5cm above the floor) to both sides of the X-Post to allow the structure to be double-sided.

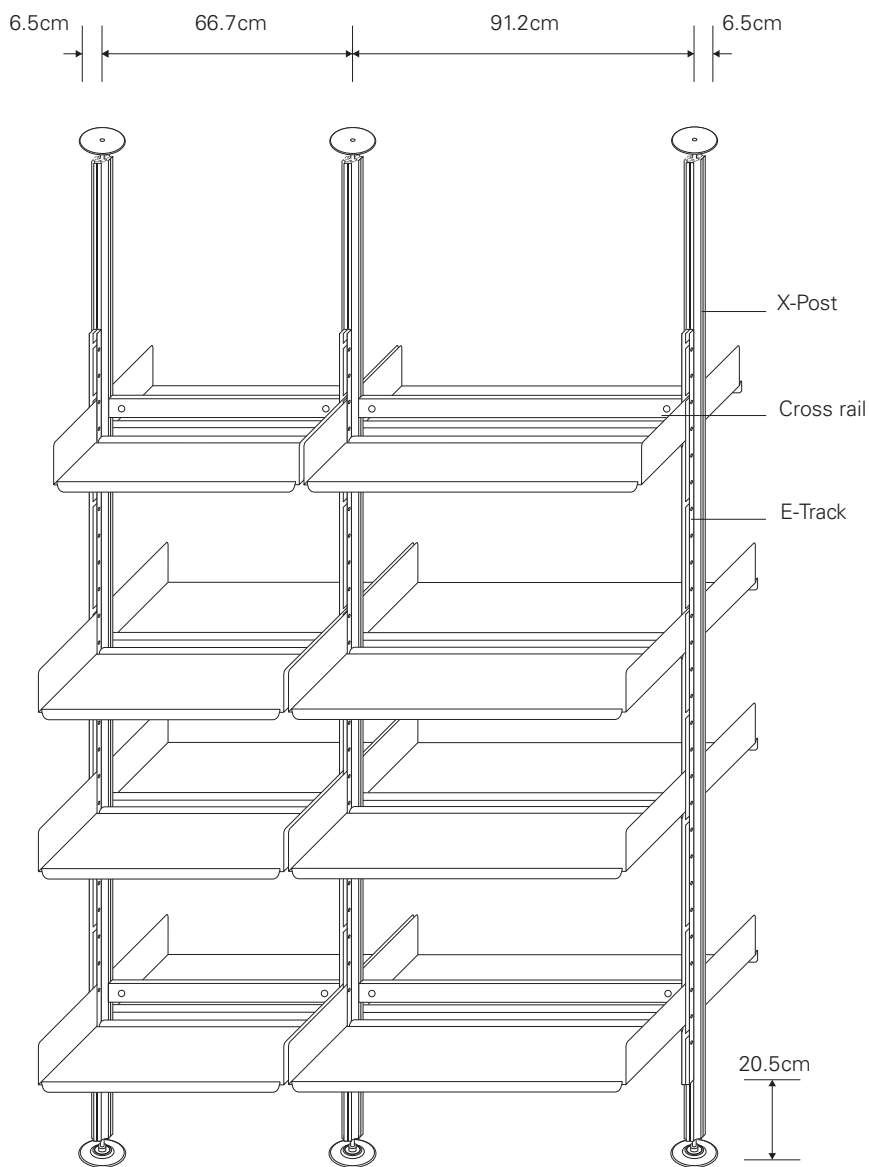
In this case, there are two important factors to consider:

- the floor must be rigid
- ideally the load must be balanced on both sides of the system

If the floor is rigid, the ceiling may be plaster or plasterboard.

The ceiling plates of the X-Post must always be fixed to the ceiling or beam with a secure mechanical fixing. This involves drilling holes in your ceiling or beam.

Remember to add 13cm (6.5cm at each end) for the diameter of the floor plates. If these measurements are ignored, your system will not fit. For this we cannot accept liability.



Compressed

- Rigid floor
- + Solid ceiling
- + Maximum height 240cm
- = **Compressed, single-sided**

If it is necessary to use the system single-sided without any contact to a wall, it is important to have a rigid floor and solid ceiling.

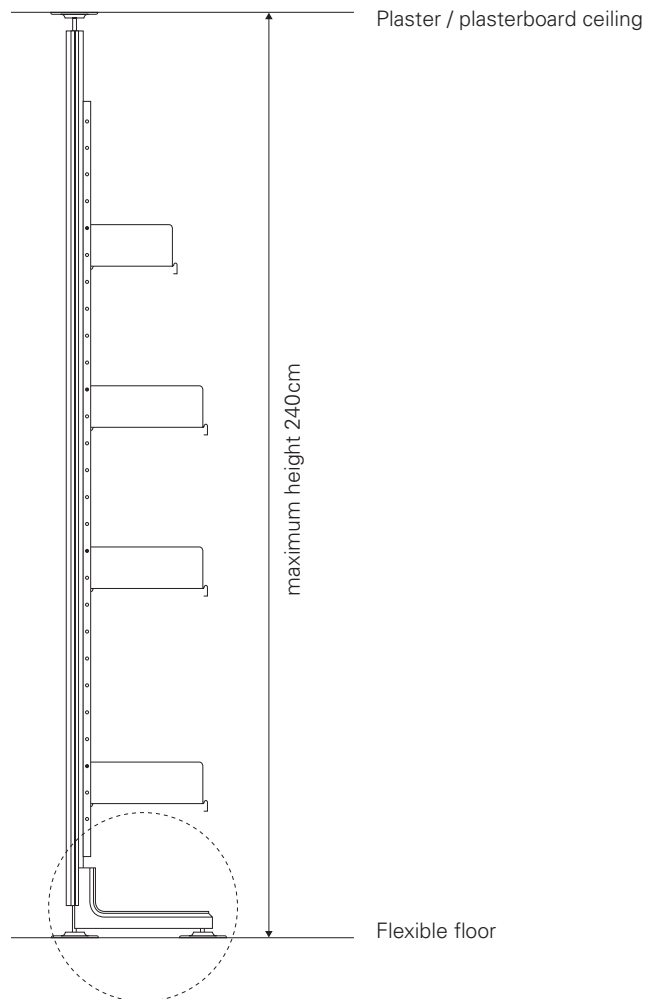
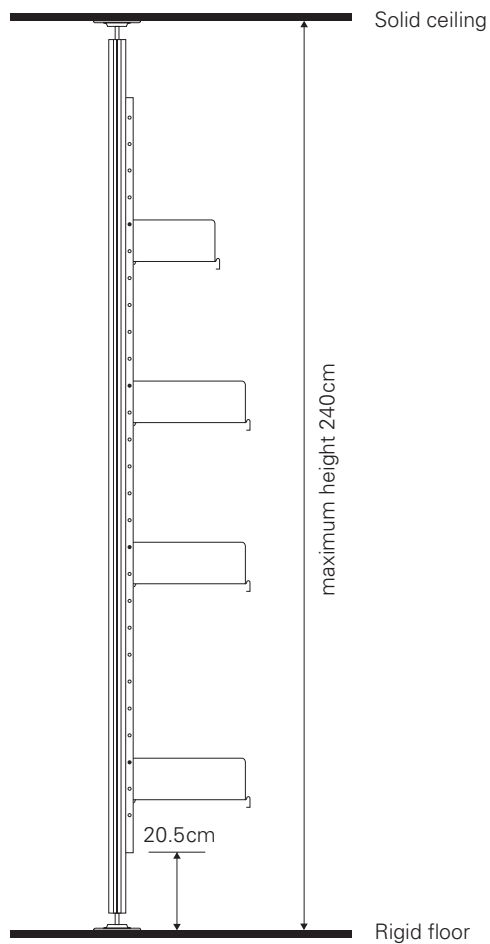
It will be necessary to limit the loading of the system to medium.

Ideally, even a single wall bracket should be used if the system is near a wall.

There is a maximum ceiling height of 240cm.

- Flexible floor
- + Plaster/plasterboard ceiling
- + Maximum height 240cm
- = **Compressed, single-sided with stabilising foot**

In this case, even with the addition of the stabilising foot, it will be necessary to limit the loading of the system to light/medium.

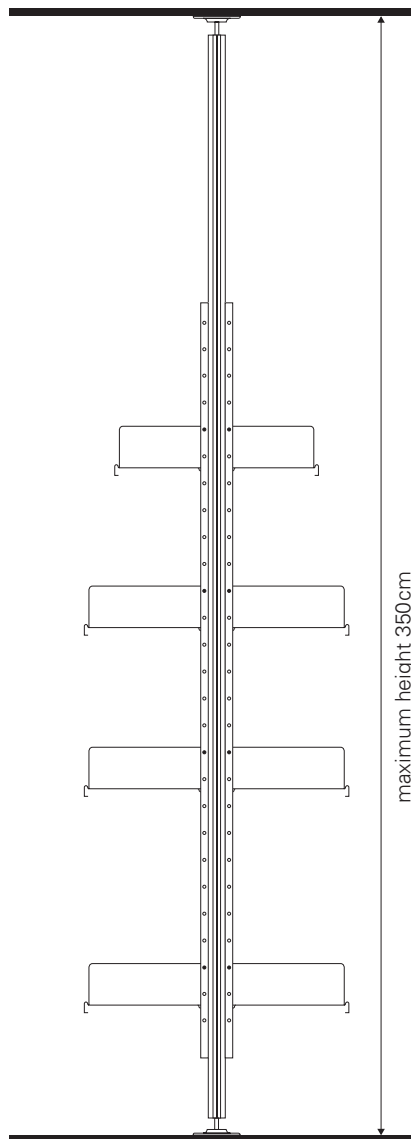


- Rigid floor
- + Solid ceiling
- + Maximum height 350cm
- = **Compressed, double-sided**

If the floor is rigid, the ceiling solid, and the medium loading distributed evenly to both sides, then the system can be compressed to its maximum height of 350cm.

Higher ceilings

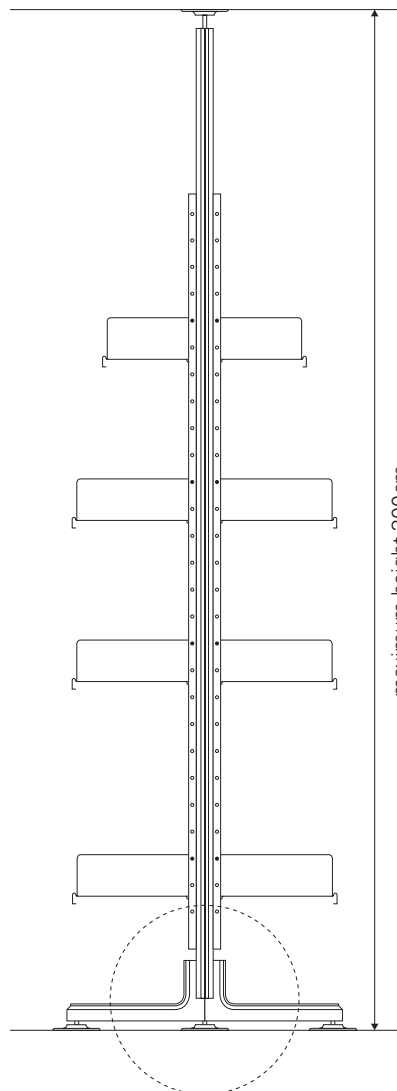
When the compressed X-Post length exceeds 300cm, it is necessary to use three cross rails per pair of X-Posts (two 5cm high rails with a single 17.5cm high rail at one quarter height, see separate price list, vitsoe.com/downloads).



- Flexible floor
- + Plaster/plasterboard ceiling
- + Maximum height 300cm
- = **Compressed, double-sided with stabilising foot**

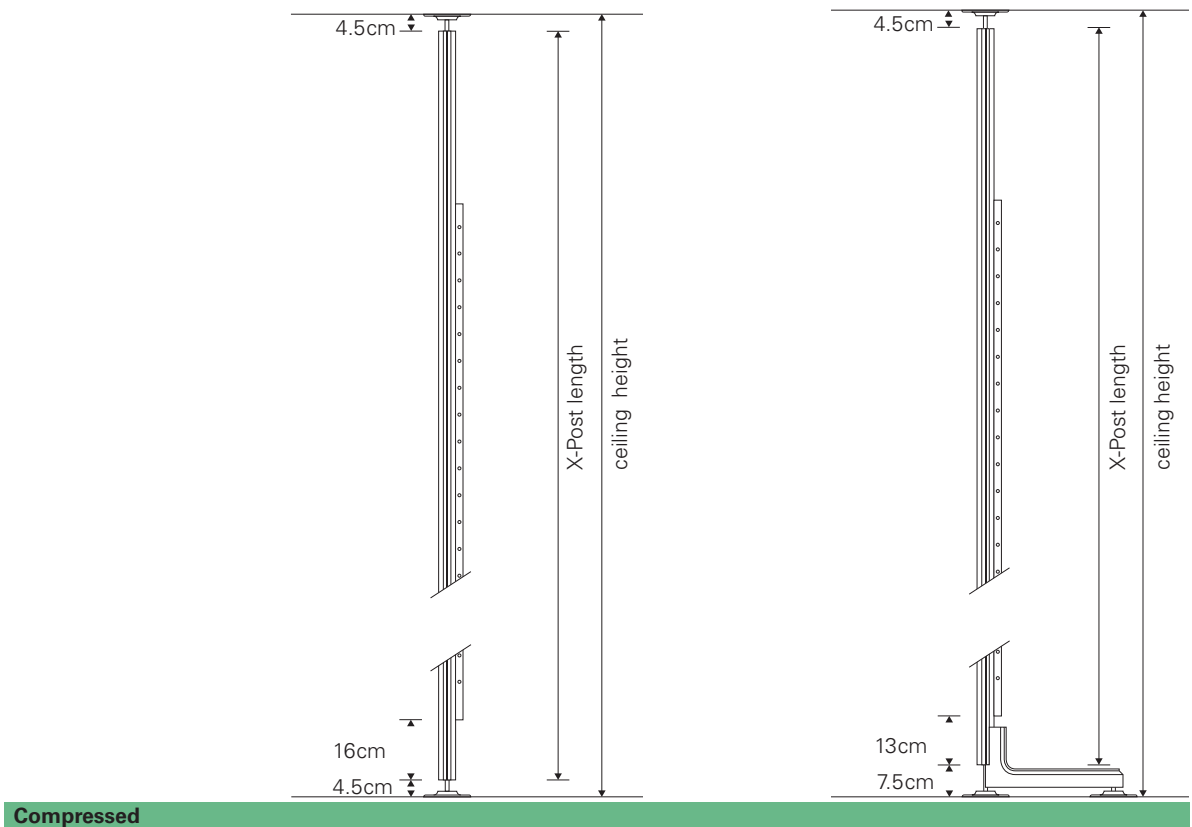
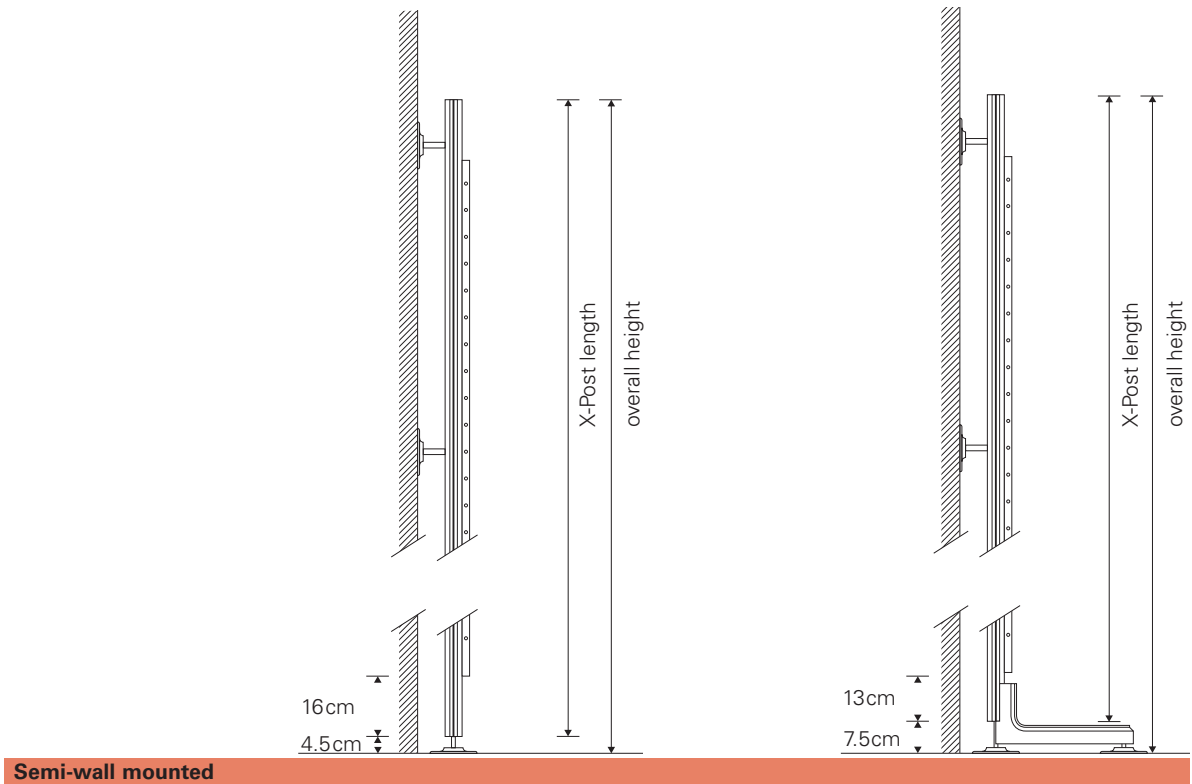
If the floor is flexible and the ceiling plaster/plasterboard, it is necessary to add a pair of stabilising feet to each X-Post and to restrict the height to 300cm.

The light/medium loading must still be distributed evenly to both sides of the system.



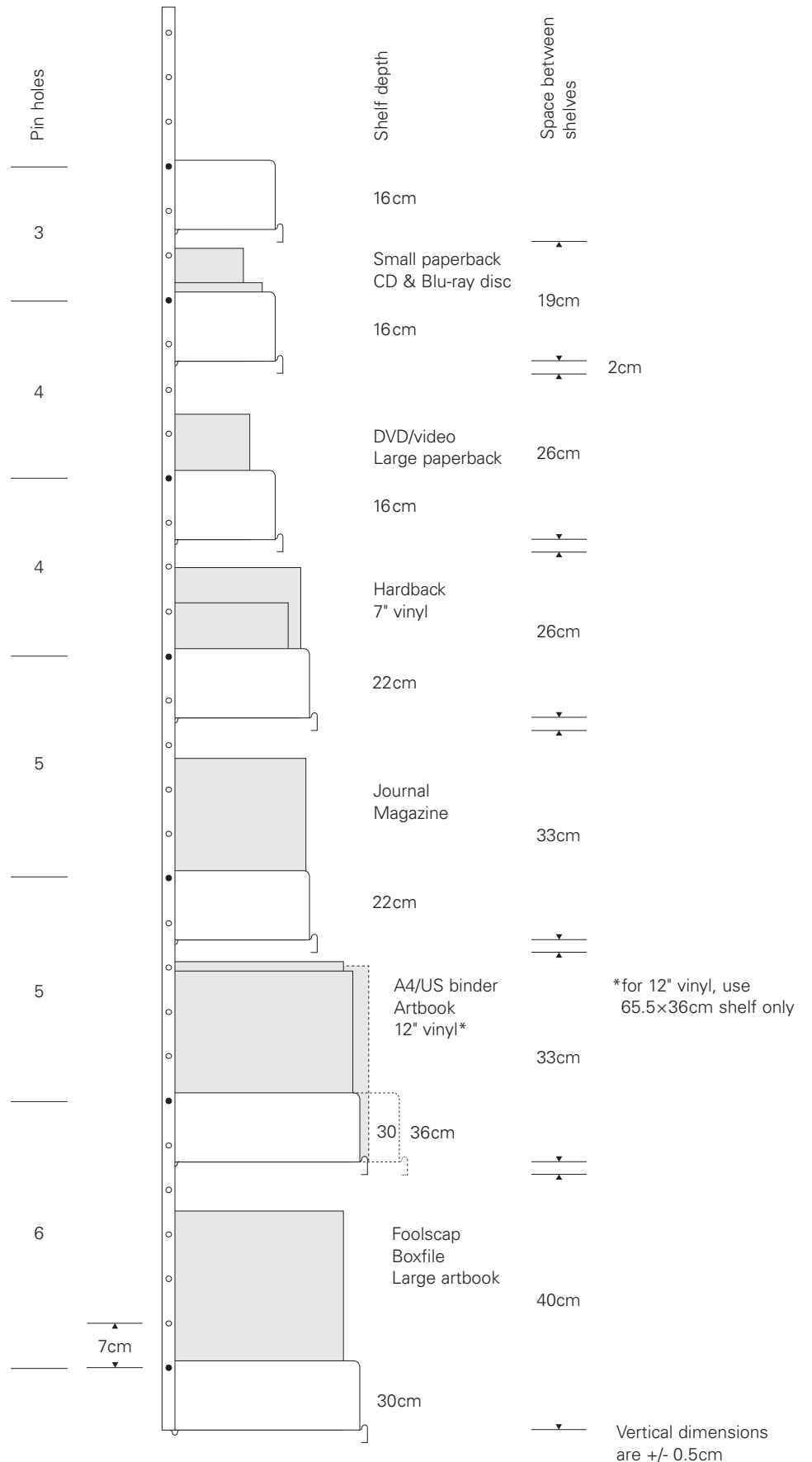
All systems must be fully dismantled for moving. We cannot accept responsibility for damage caused to the system if it is moved while assembled.

How we calculate the length of your X-Post



Scale 1:20

What you can fit on your shelves



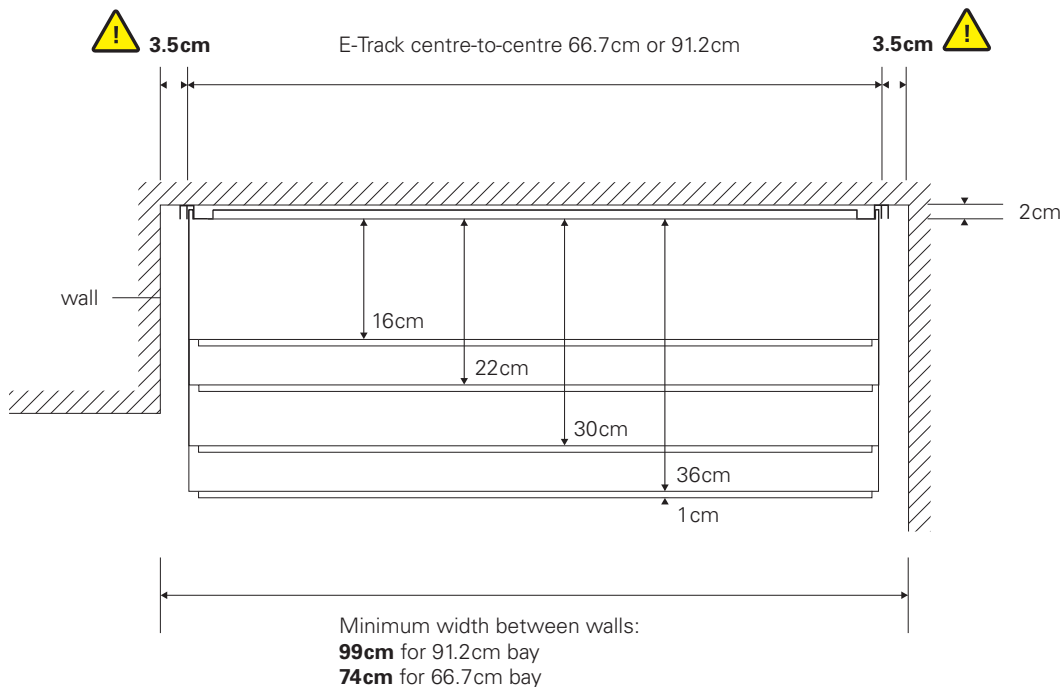
Scale 1:10

How much space the system needs

Wall mounted

To work out the minimum width a system requires, add up the centre-to-centre widths for each bay (66.7cm for narrow bays and 91.2cm for wide bays).

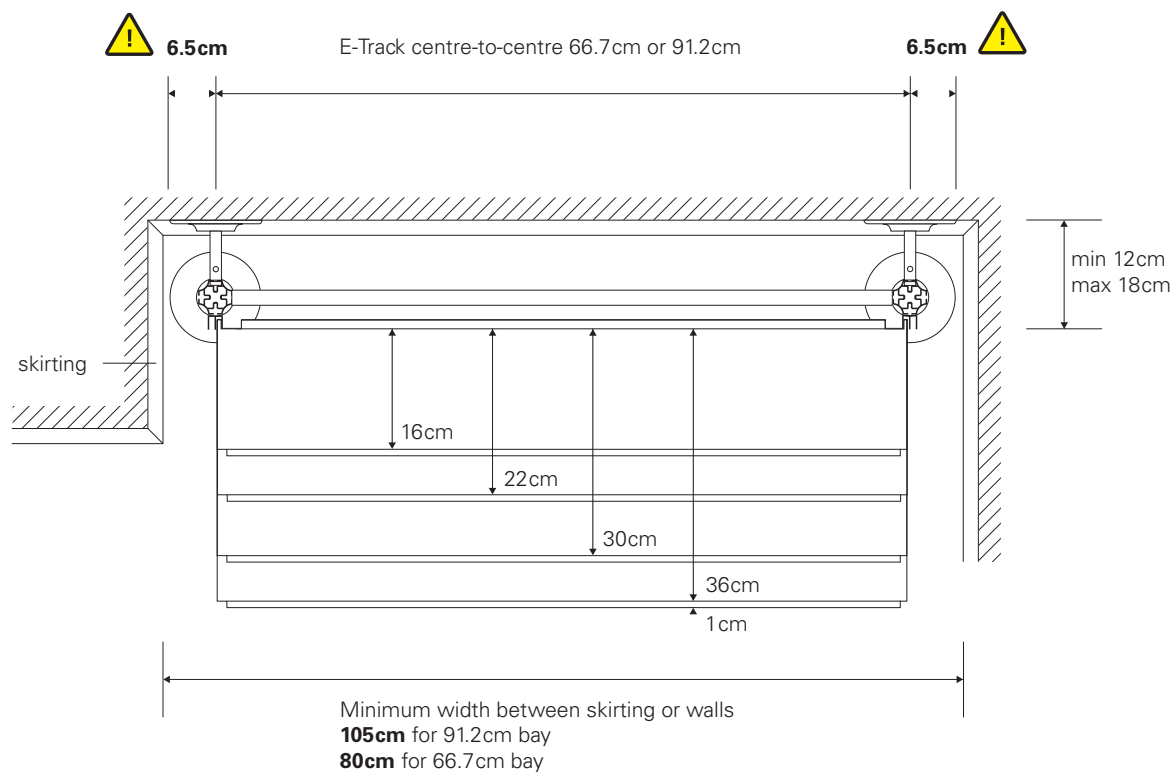
Then add **3.5cm** to each side of the system to ensure enough space for drilling and fitting your pins.



Semi-wall mounted

To work out the minimum width a system requires, add up the centre-to-centre widths for each bay (66.7cm for narrow bays and 91.2cm for wide bays).

Then add **6.5cm plus the depth of the skirting boards** on adjacent walls to ensure enough space for drilling and fitting your pins.



If these measurements are ignored, your system will not fit. For this we cannot accept liability.

Boring but important

Alcove installation

When planning a semi-wall mounted or compressed installation in an alcove, remember to measure the available space **between the skirting boards** to ensure that the floor plates will fit. Also check that the sides of the alcove are vertical.

Burglar alarm

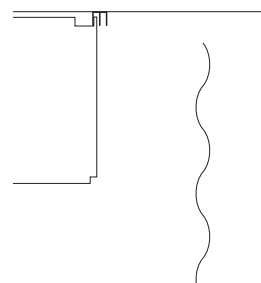
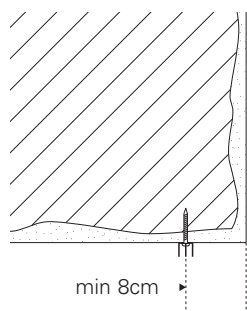
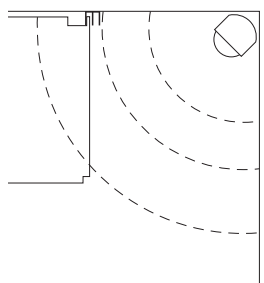
The performance of passive infra-red detectors may be affected if shelves are installed nearby. If you have any doubts, please consult your alarm specialist before deciding how close shelves can be fitted.

Exposed corner

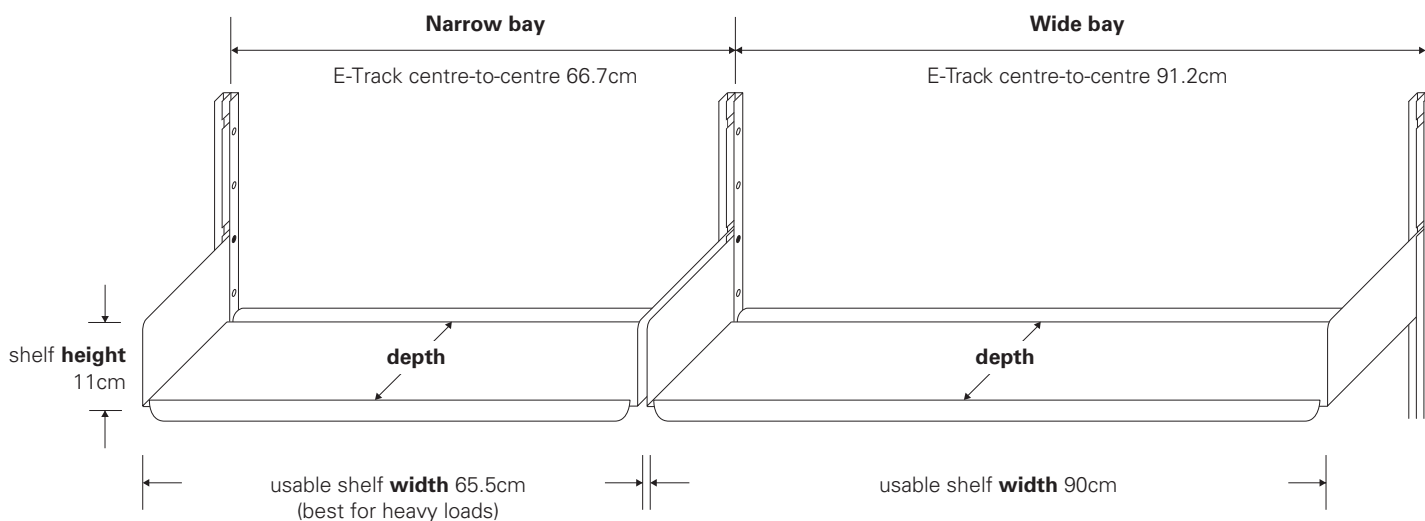
Screws should normally be a minimum of 8cm from an exposed corner, otherwise the wall may fail.

Curtains

Hanging curtains *after* the installation of your system will make your shelves appear off-centre. Please bear this in mind when measuring.



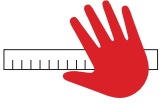
This drawing shows how we refer to **height, width, depth and bay**. You may find this helpful when communicating with us.



Scale 1:10

Any questions? vitsoe.com/contact

What do I do next?



1

Measure and photograph your space...

To begin we need to know about your space. Ideally we need some pictures; measurements are essential: the full width and height of your space, not just the area you want to use (see below).

If you can measure where any sockets, switches or other obstructions appear on your wall – and tell us what your wall is made of – then our relationship will be off to a great start.



2

...and tell us how you want to use your system

Are you storing books, files or magazines? Or your wardrobe? Or reorganising your kitchen? Or your TV, music or home entertainment? The more you can tell us the better the result will be.

You can contact us online (vitsoe.com/plan), call or visit us (vitsoe.com/contact).



3

We will plan for you...

We will plan a shelving system for you and upload drawings to vitsoe.com for you to see (including prices). We then refine the drawings in conversation with you to ensure that we are meeting your exact needs.

When you are entirely happy with your drawings, you can pay online.



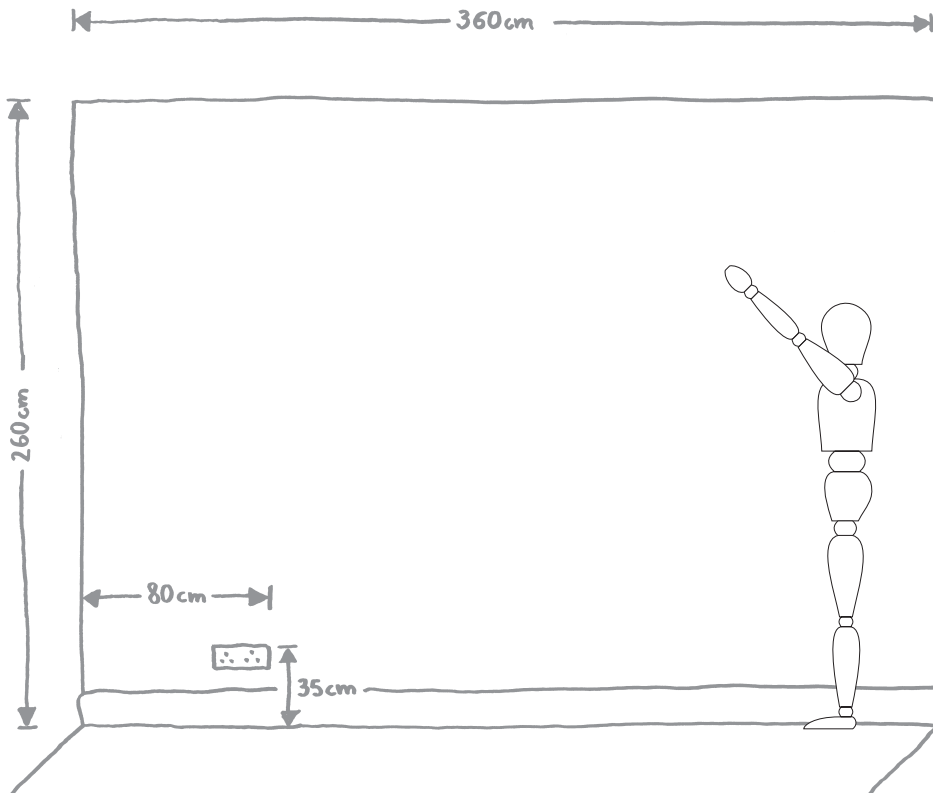
4

...and deliver, worldwide, direct to your door

Wherever you are, we deliver direct to you. We send you fixings, templates and instructions to make installation straightforward. Either you install or you can ask a capable friend. Or ask about our installation service when planning your system.

Adding, subtracting; changing, moving

As we have dealt with most of our customers for many years we keep your drawings so that we can make changes for you at any time – whatever occurs in your life.



Measure the **full width and height of your space** including skirting and cornice. Take some photographs.

Send or bring them to us: vitsoe.com/plan